

BOSE

SERVICE BULLETIN

174798-B1

Product: Lifestyle® CD5

Subject: Dim VFD Display

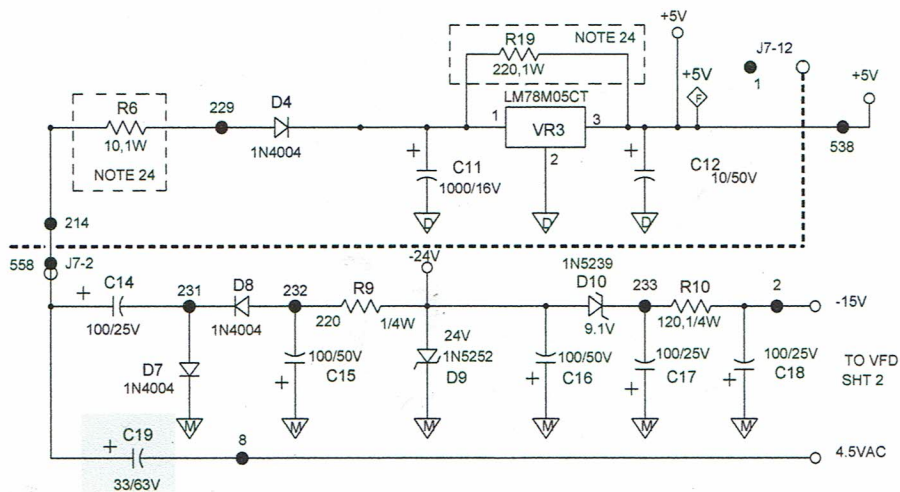
Effective Date: 8/27/96

Symptom: Dim VFD Display.

Reason: Improper voltage rating on C19.

Solution: Replace C19 with a 33uF, 63V capacitor, part number **149948-3301J**.

The display dims on some units, after the unit has been in use for a period of time. When a unit is returned from the field for service, C19 should be checked to ensure that the voltage rating on C19 is 63V. If it is not, it should be replaced with a 33uF, 63V capacitor, part number 149948-3301J. This should be done to all units returned for service to ensure this failure does not occur in the future. Refer to the schematic below, the CD5 service manual, part number 174798, and the CD5 supplement, part number 177871, for schematics, PCB layouts and disassembly procedures.



CD5 Power Supply

Date issued: 6/17/97