

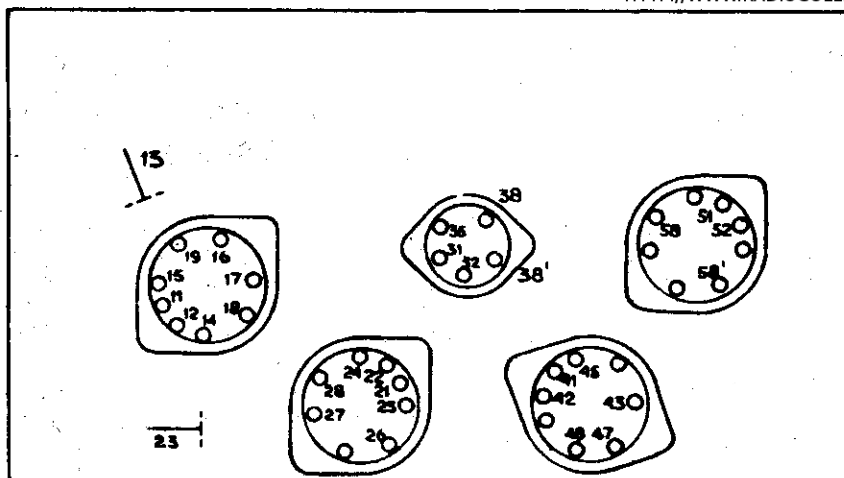
S 4 A

Point to Point

N°1445

17 - 7 - '36.

HTTP://WWW.RADIOCOLLECTION.BE



D1445



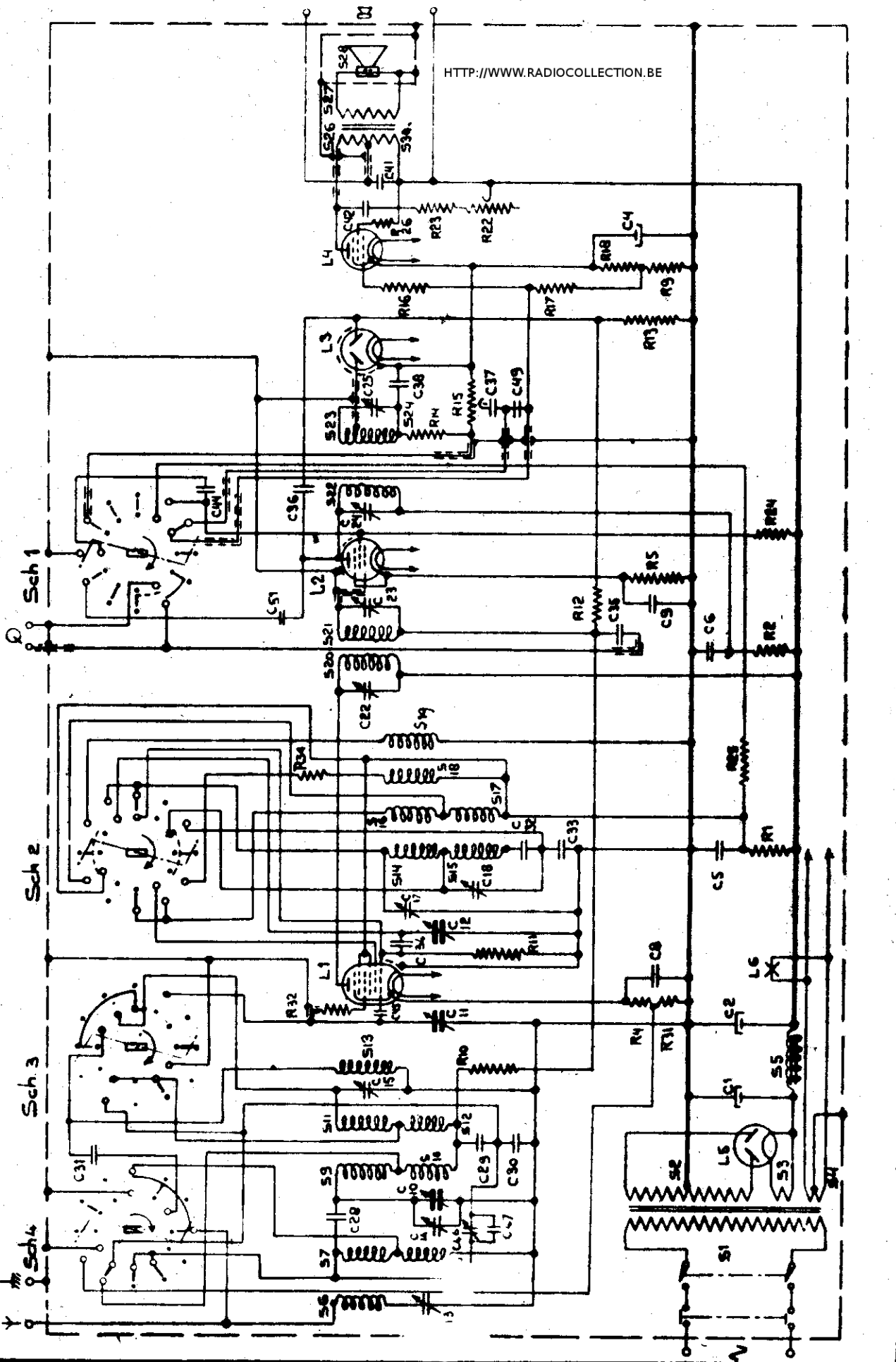
	Weerstand			Résistance					Widerstand							
12	11	12	14	24	21	31	41	51	P	U						
	5	5	5	5	5	5	5	5	5	5						
11	18	25	26	35	45	47	58	58'	L	S	48				48	
	380	285	285	270	270	360	215	215	355	420	500	60	200	500	440	
10	16	17	28	43				43								
	135	240	425	500	500	500	340	250	250	250	0					
9	43				23	27	38'	38	43							
	500	100	100	500	105	480	210	250	140							

	Capaciticit			Capacité			Kapazität									
12	43			43												
	500	410	370	500	50											
11	17	23	27													
	345	280	340													
10	48															
	265															
9	35	52														
	460	480														

Apparaat op K.G, geschakeld
Appareil commuté sur O.C.
Gerät auf K.W. geschaltet

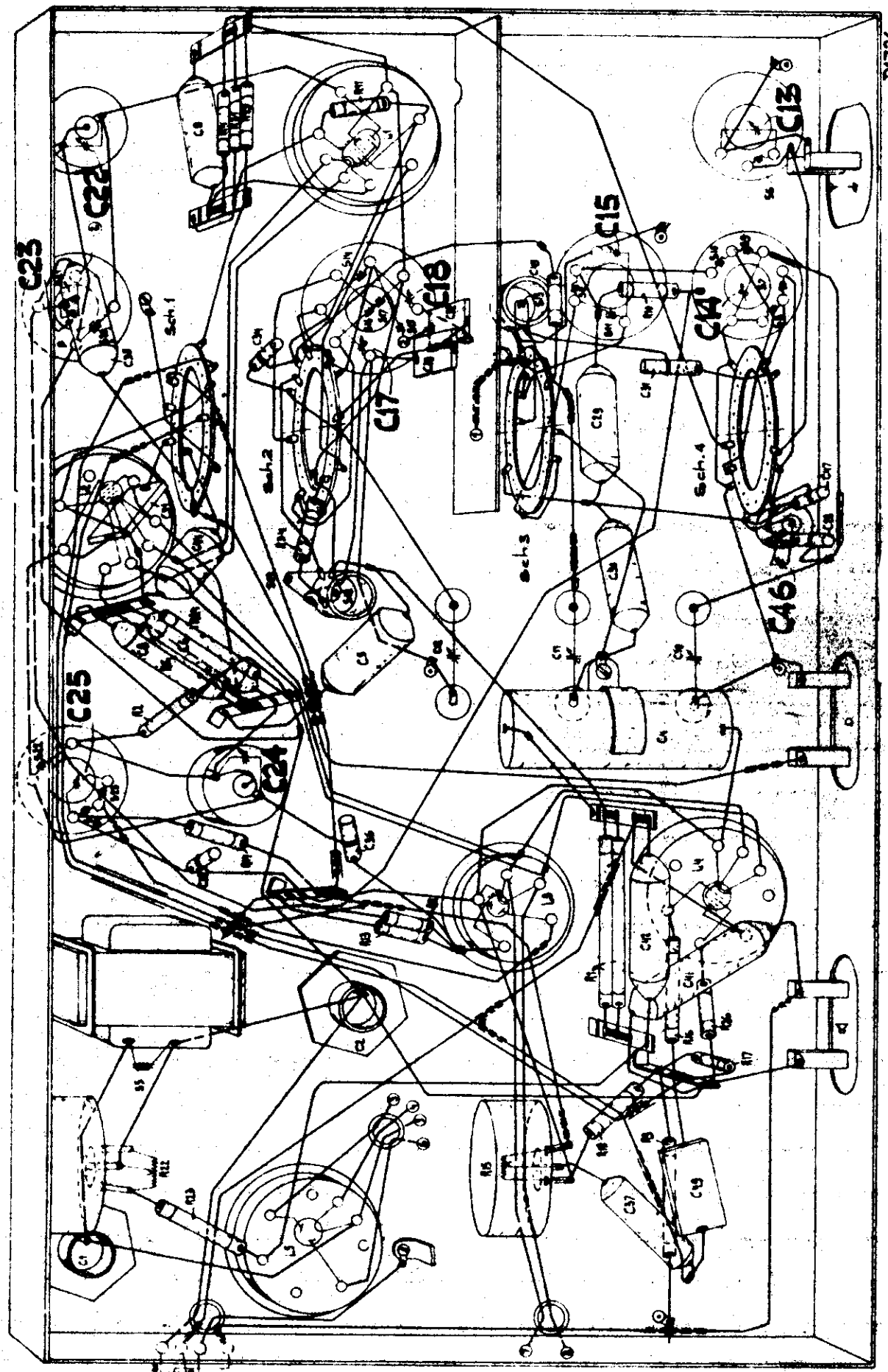
vol reg. max.
Rég. de vol. max.
Vol. Regl. max.

S: 6, 78, 12, 34, 5, 10, 11, 12, 5, 13, 14, 15, 16, 17, 18, 19, 20, 21, 22, 23, 24, 28
 C: 13, 4, 14, 28, 10, 4, 29, 30, 1, 31, 15, 11, 2, 4, 5, 6, 35, 23, 9, 24, 36, 4, 49, 37, 25, 38, 4, 42, 41
 R: 10, 32, 31, 4, 11, 25, 2, 12, 5, 24, 13, 16, 17, 18, 9, 23, 22, 26, 26, 27, 30, 28



HTTP://WWW.RADIOCOLLECTION.BE

S: 27 28 26 30	5	24 25 22	18 19	41 42 24 36	4 25 5 19 6 11 13 34 44 46 51 58	47 17 23 31 33 35 34 32 25 45 48 44 45	22 8 13
C:	37 49	2	41	42 24 36	4 25 5 19 6 11 13 34 44 46 51 58	47 17 23 31 33 35 34 32 25 45 48 44 45	22 8 13
P:	23 22 15 18 9	17 16 26 1	13 12 14	2	5 20 3	10	4 31 25 11

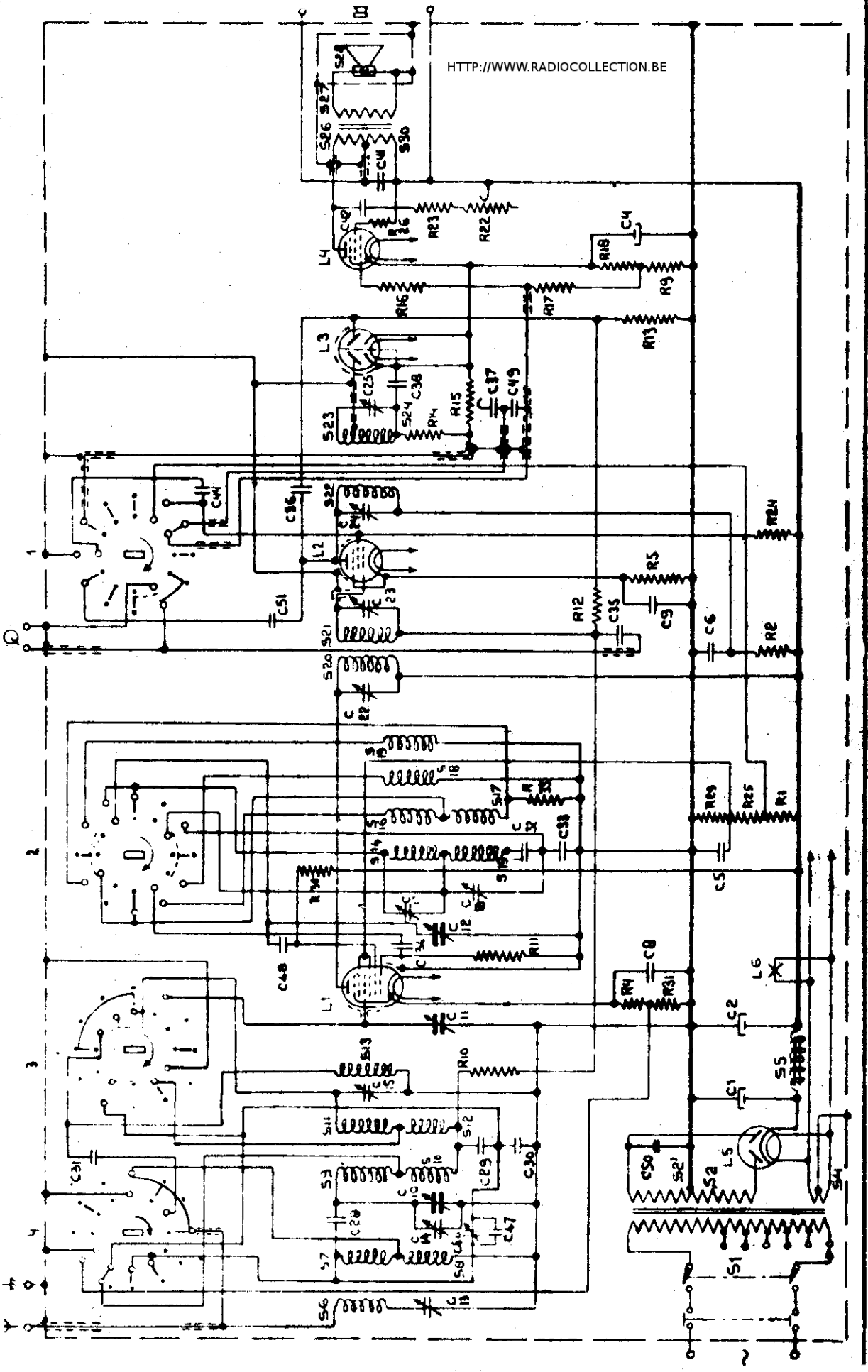


D1726

S 6 7.8, 9, 12, 4, 9, 10, 11, 12, 5, 13 14, 15, 16, 17, 18, 19 20, 21 22, 23, 24 26, 27, 30, 28

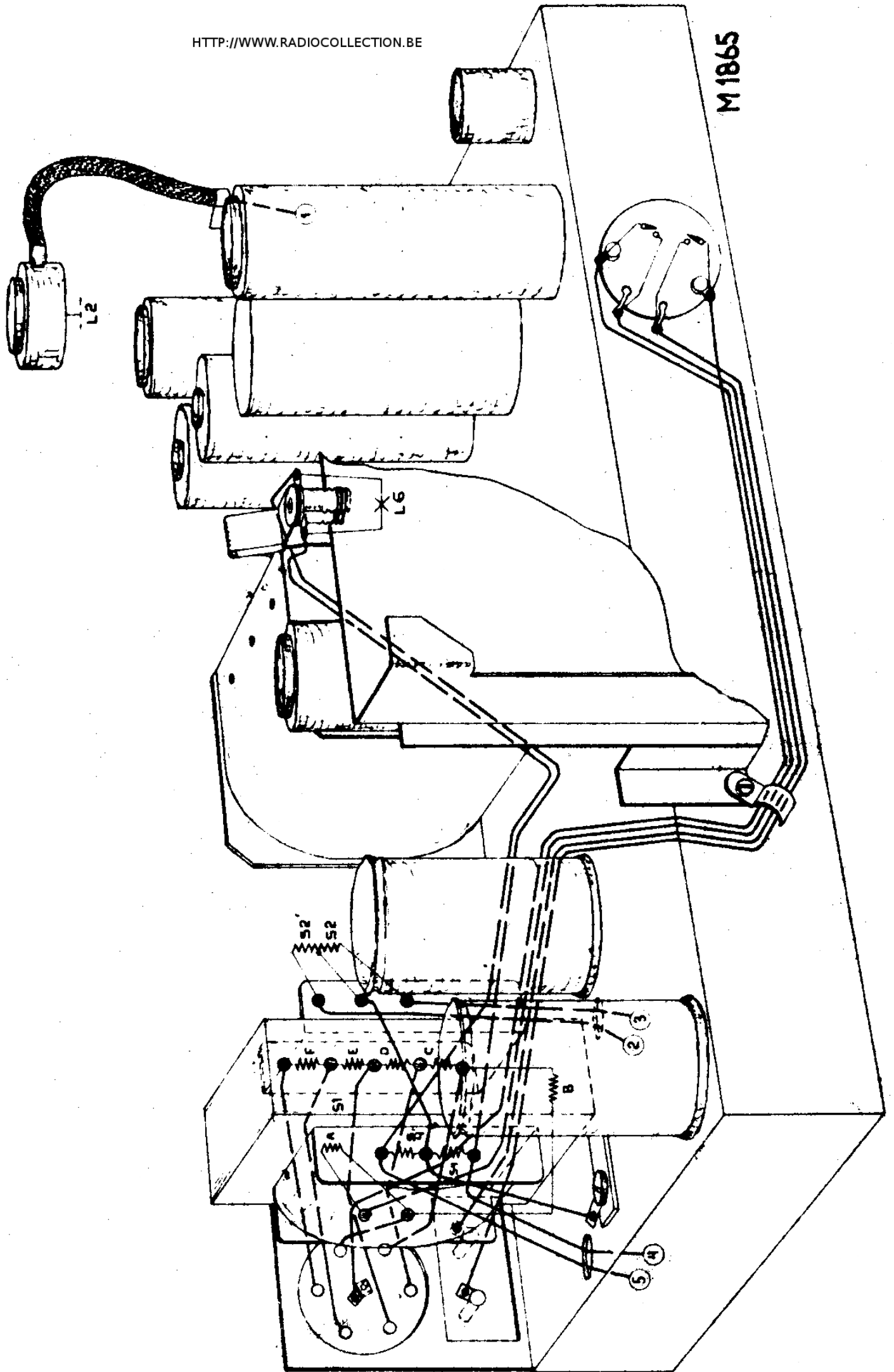
C 13 47, 14, 28, 10, 4, 29, 30, 31, 15 11, 2, 4, 8, 12, 17, 18, 34 32, 33, 5 22, 6, 35, 23, 9, 51, 24, 36, 44, 43, 37, 25, 38

R 10 4, 31, 11 30, 1, 29, 33, 25 2, 12, 5, 24, 14, 15, 13, 16, 17, 18, 9, 23, 22, 26

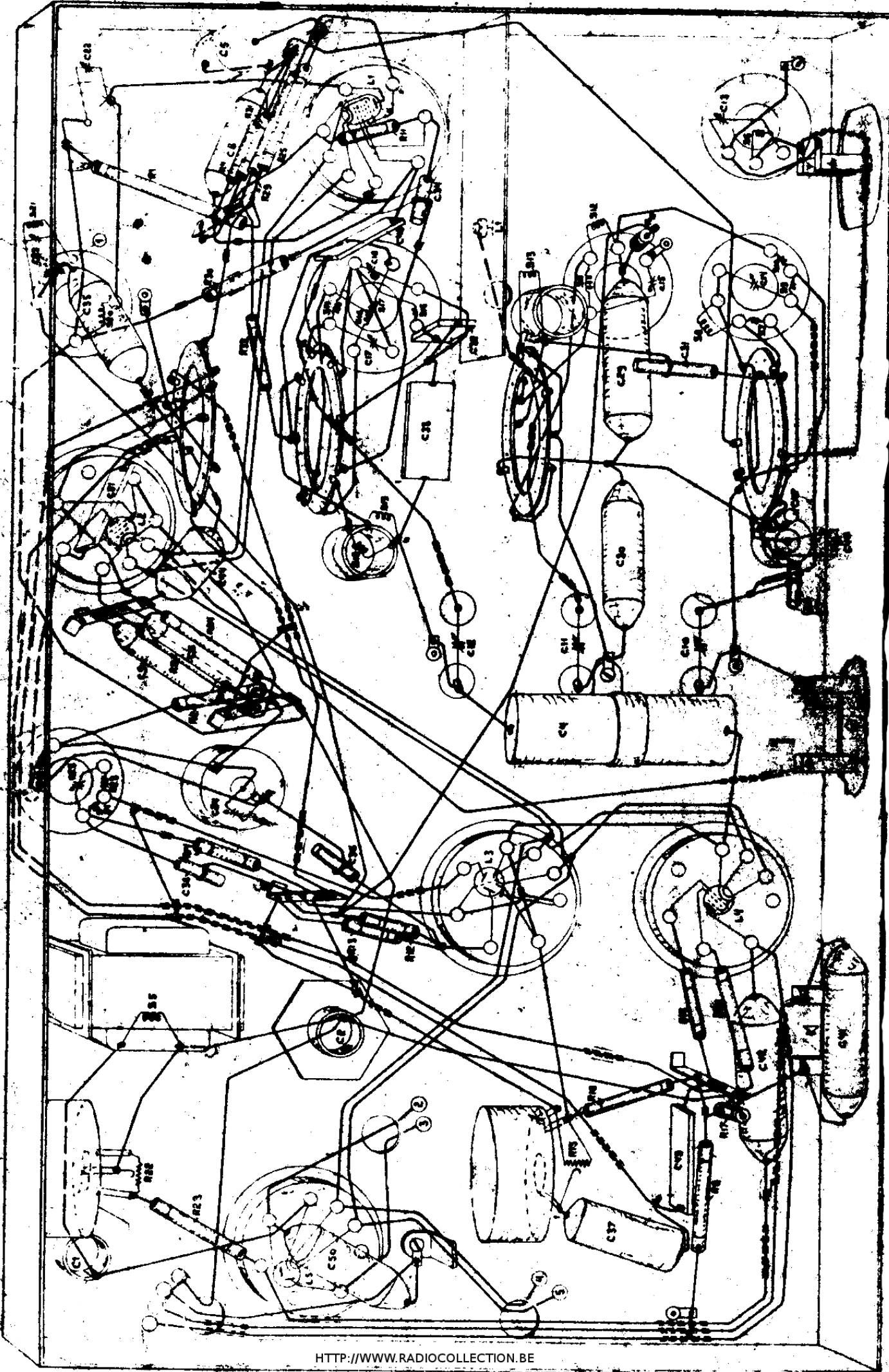


M1864

M1865

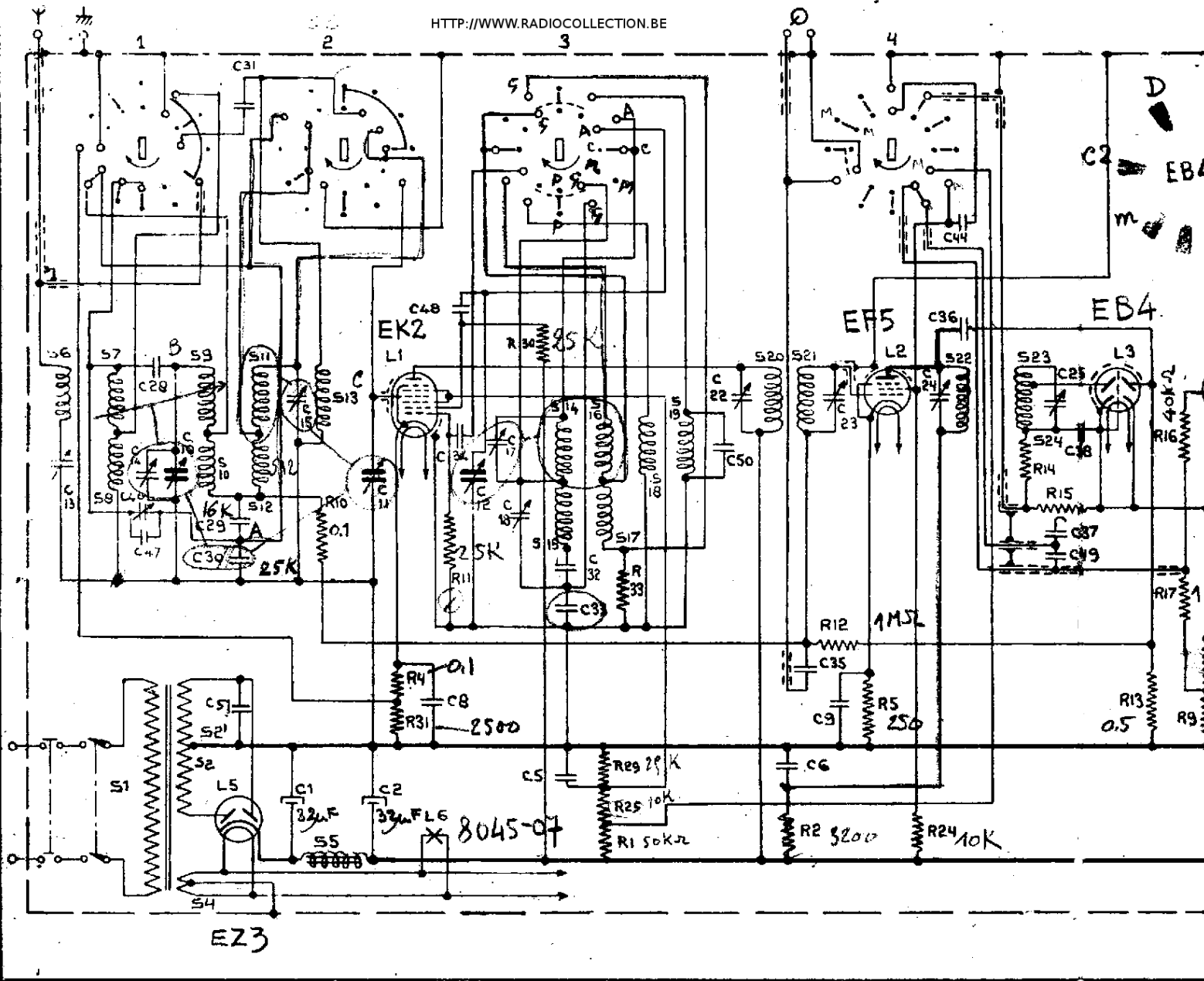


1. 2. 3. 4. 5. 6. 7. 8. 9. 10. 11. 12. 13. 14. 15. 16. 17. 18. 19. 20. 21. 22. 23. 24. 25. 26. 27. 28. 29. 30. 31. 32. 33. 34. 35. 36. 37. 38. 39. 40. 41. 42. 43. 44. 45. 46. 47. 48. 49. 50. 51. 52. 53. 54. 55. 56. 57. 58. 59. 60. 61. 62. 63. 64. 65. 66. 67. 68. 69. 70. 71. 72. 73. 74. 75. 76. 77. 78. 79. 80. 81. 82. 83. 84. 85. 86. 87. 88. 89. 90. 91. 92. 93. 94. 95. 96. 97. 98. 99. 100.



S: 6, 7, 8, 12, 4, 9, 10, 11, 12, 5, 13, 14, 15, 16, 17, 18, 19, 20, 21, 22, 23, 24,
 C: 13, 7, 14, 28, 10, 16, 29, 30, 5, 1, 31, 15, 11, 2, 8, 4, 8, 12, 17, 18, 34, 32, 33, 5, 50, 22, 6, 35, 23, 9, 24, 36, 44, 43, 37, 2, 38,
 R: 10, 4, 31, 11, 30, 1, 29, 25, 2, 12, 5, 24, 14, 15, 13, 16, 17,

HTTP://WWW.RADIOCOLLECTION.BE



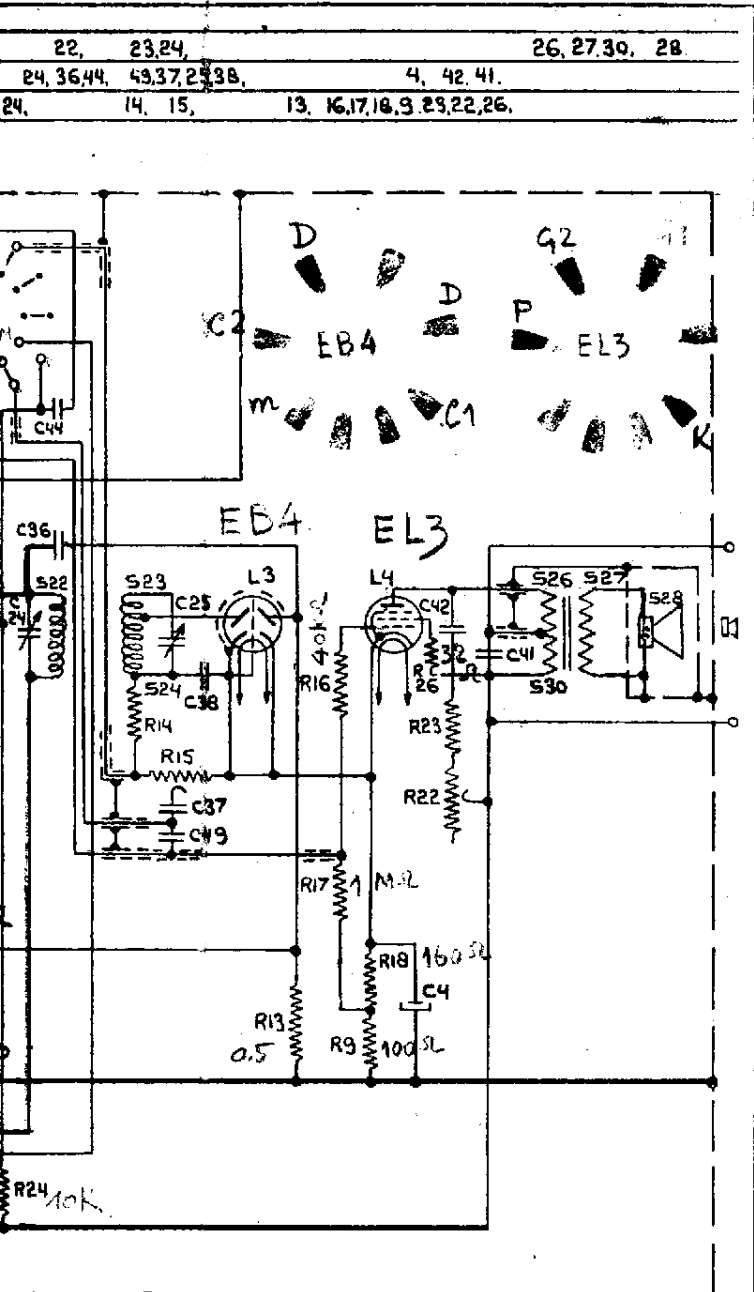
BOBINES

Fig. 19

BOBINES

| Nr. | Désignation | No. de Code | Prix | Nr. | Désignation |
|-----|---------------------------|-------------|------------|-------------------|---------------|
| S1 | Transfo d'alimentation* | 28.529.530 | | S14 | Bobine oscil. |
| S2 | | | | | |
| S4 | | | | | |
| S5 | | | | S15 | |
| S6 | Self | 28.546.081 | S16 | 2.5-30 μF | |
| C13 | Circuit de bouchon | 28.570.481 | S17 | | |
| S7 | 12-170 μF | 28.570.541 | C17 | 2.5-30 μF | |
| S8 | Bobine d'antenne | | S18 | | |
| C14 | 2.5-30 μF | | S19 | | |
| S9 | Bobine du filtre de bande | | 28.570.491 | S20 | |
| S10 | | | | | |
| S11 | | | | | |
| S12 | | | | | |
| C15 | 2.5-30 μF | 28.587.080 | C23 | 12-170 μF | |
| S13 | Bobine H.F., O.C. | | S22 | 2ème Bobine M.F. | |
| | | | S23 | | |
| | | | | S24 | 12-170 μF |
| | | | S25 | | |
| | | | S26 | transfo de sortie | |
| | | | S27 | | |
| | | | S30 | cône avec bobine | |
| | | | S28 | | |

pour réseaux de 230 et 230.812



D1696

BOBINES

| Désignation | No. de Code | Prix |
|--------------------|-------------|------|
| Bobine oscill. | 28.570.862 | |
| 2.5-30 µF | | |
| 2.5-30 µF | | |
| Bobine oscil. O.C. | 28.587.310 | |
| Bobine M.F. | 28.570.521 | |
| 12-170 µF | | |
| 2ème Bobine M.F. | 28.570.720 | |
| 12-170 µF | | |
| transfo de sortie | 28.529.790 | |
| cône avec bobine | 28.220.200 | |

Les modifications à l'encre se rapportent au Siera S4.

en rouge pour S4A-20 et 29
CONDENSATEURS

| Nr. | Valeur | No. de Code | Prix |
|-----|------------------|--------------|----------------|
| C1 | 32 µF | 28.180.130 | |
| C2 | 32 µF | 28.180.130 | |
| C3 | 50 µF | 28.182.320 | C3- 50 µF |
| C5 | 0.1 µF | 28.199.090 | |
| C6 | 0.1 µF | 28.199.090 | C6- 0.5 µF |
| C8 | 50000 µF | 28.199.060 | |
| C9 | 0.1 µF | 28.199.090 | |
| C10 | 10-490 11-490 µF | 28.211.421 | |
| C11 | 10-490 11-490 µF | | |
| C12 | 10-490 11-490 µF | | |
| C13 | 12-170 µF | voir bobines | |
| C14 | 2.5-30 µF | " " | |
| C15 | 2.5-30 µF | " " | C16- 2.5-30 µF |
| C17 | 2.5-30 µF | " " | |
| C18 | 2.5-30 µF | " " | |
| C22 | 12-170 µF | 28.211.310 | C22- 12-170 µF |
| C23 | 12-170 µF | voir bobines | C23- 0.2 µF |
| C24 | 12-170 µF | 28.211.310 | |
| C25 | 12-170 µF | voir bobines | C26- 500 µF |
| C28 | 10 µF | 28.206.340 | |
| C29 | 16000 µF | 28.199.010 | |
| C30 | 25000 µF | 28.199.030 | |
| C31 | 16 µF | 28.206.360 | |
| C32 | 615 µF | 28.192.240 | C32- 630 µF |
| C33 | 1585 µF | 28.192.280 | C33- 1375 µF |
| C34 | 50 µF | 28.206.240 | C34- 100 µF |
| C35 | 0.1 µF | 28.199.090 | |
| C36 | 6.4 µF | 28.206.320 | C36- 10 µF |
| C37 | 10000 µF | 28.198.990 | C37- 2000 µF |
| C38 | 100 µF | 28.206.270 | C38- 400 µF |
| C41 | 4000 µF | 28.199.710 | C41- 20000 µF |
| C42 | 50000 µF | 28.199.820 | C42- 8000 µF |
| C44 | 0.1 µF | 28.199.090 | C43- 0.1 µF |
| C46 | 2.5-30 µF | 28.211.320 | C45- 2µF |
| C47 | 20 µF | 28.206.370 | |
| C48 | 500 µF | 28.190.200 | C48- pas S4 |
| C49 | 800 µF | 28.190.220 | C49- 250 µF |
| C50 | 10 µF | 28.206.340 | C50- pas S4 |
| C51 | 20000 µF | 28.201.530 | C51- pas S4 |

RESISTANCES

| Nr. | Valeur | No. de Code | Prix |
|-----|---------------------|-------------|------|
| R1 | 50000 Ohm | 28.771.070 | |
| R2 | 3200 Ohm | 28.770.300 | |
| R4 | 400 Ohm | 28.773.660 | |
| R5 | 250 Ohm | 28.773.640 | |
| R9 | 100 Ohm | 28.774.630 | |
| R10 | 0.1 M.Ohm | 28.773.900 | |
| R11 | 25000 Ohm | 28.773.840 | |
| R12 | 1 M.Ohm | 28.774.000 | |
| R13 | 0.5 M.Ohm | 28.773.970 | |
| R14 | 0.1 M.Ohm | 28.773.900 | |
| R15 | 0.5 M.Ohm | 28.811.281 | |
| R16 | 40000 Ohm | 28.773.860 | |
| R17 | 1 M.Ohm | 28.774.000 | |
| R18 | 160 Ohm | 28.774.890 | |
| R22 | 50000 Ohm | 28.811.021 | |
| R23 | 100 Ohm | 28.770.150 | |
| R24 | 0.1 M.Ohm | 28.770.450 | |
| R25 | 10000 Ohm | 28.770.350 | |
| R26 | 32 Ohm | 28.773.550 | |
| R29 | 25000 Ohm | 28.770.390 | |
| R30 | 25000 Ohm | 28.770.390 | |
| R31 | (456A-20) 2500 Ohm | 28.773.740 | |
| R31 | (456A-29) 10000 Ohm | 28.773.800 | |
| R33 | 2500 Ohm | 28.773.740 | |

*pour Siera S4 voir liste spéciale
" " S4A-20 et 29 comme pour 457A
" " " sauf R31-10000 Ω*

R31 = 10000 Ω.