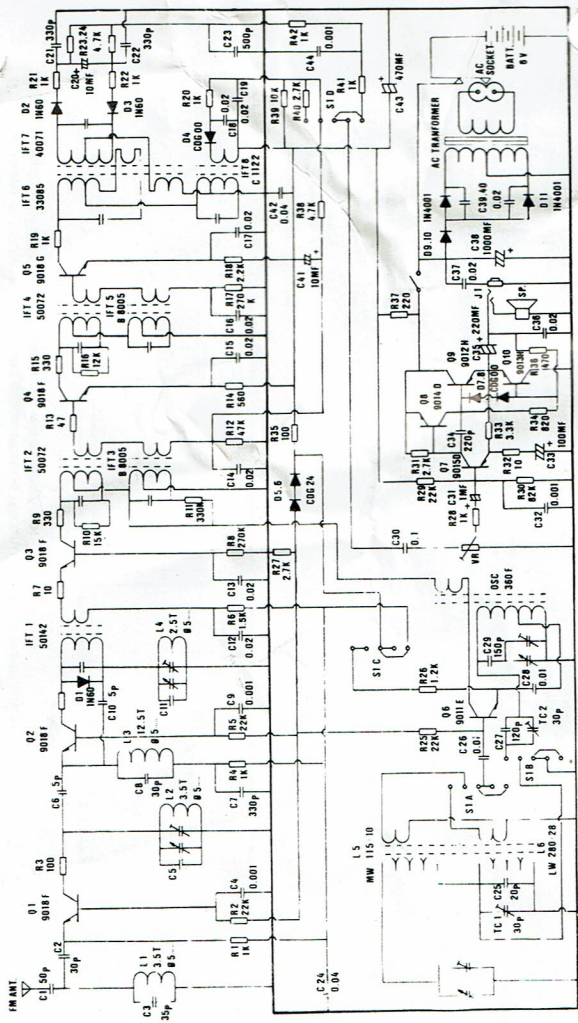


INSTRUCTION MANUAL

SBR P106



CIRCUIT DIAGRAM



HOW TO OPERATE RADIO

1. Turn the Volume on/off Control (1) about one quarter of the way.
2. Set the Band Selector Switch (5) to either the MW or FM or LW position.
3. (a) Tuning MW or LW
To select the desired station, rotate the Tuning Control (2). All MW or LW radios have "DIRECTIONAL" characteristics. Turn the radio until the best reception is obtained.
(b) Tuning FM
Extend the telescopic aerial (3) to its full length. To select the desired station, rotate the tuning control.
4. Readjust the volume control to the desired listening level.

EARPHONE

Your radio is fitted with an Earphone Socket (4). For private listening simply plug the earphone into the Socket (4). Within the earphone connected, the speaker in the radio will automatically be inoperative.

CAUTION: EXCESSIVE HEAT AND HUMIDITY CAN CAUSE SHORTENING OF OPERATIONAL LIFE. WHEN THE CABINET BECOMES SOILED, CLEAN IT WITH A DAMPENED CLOTH. SOLVENTS OR CLEANERS MAY SEVERELY DAMAGE THE CABINET. WEAK OR DISTORTED SOUND USUALLY INDICATES POOR BATTERIES. ALWAYS CHECK AND REPLACE BATTERIES FIRST.

SPECIFICATIONS

Semiconductor Component	: 20 Solid State Devices (10 transistors, 7 diodes, 2 rectifiers, 1 switching diode).
Frequency Range	: MW 540 — 1600 KHz, LW 150 — 260 KHz FM 88 — 108 MHz
Intermediate Frequency	: MW 465 KHz, LW 465 KHz FM 10.7 MHz
Output Power	: 350mW Maximum
Speaker	: 3" 8 ohm Dynamic
Power Source	: AC 220 volts 50 Hz DC 6V, "HP7" cells x 4, or equivalent
Antenna	: MW/LW Ferrite Rod FM Telescopic Rod

Because we continually strive to improve our products we may change specifications without prior notice.

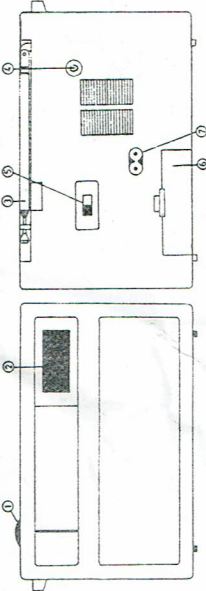
IMPORTANT

This unit is designed to operate from batteries or AC 220V — 50 Hz household mains supply.

Warning

Do not remove the cover without first disconnecting the unit from the mains supply. The unit should be disconnected from the mains when not in use.

GUIDE



CONTROLS

1. On/Off Switch and Volume Control
2. Tuning Control
3. Telescopic Aerial
4. Earphone Socket
5. Band Selector (MW/FM/LW)
6. Battery Compartment
7. AC Socket

POWER SOURCE

Two sources can be used to power this unit: 220 volt, 50Hz AC and "D" cell batteries.

AC... Plug the supplied AC power cord into the receptacle on the back of the unit, and then into a 220 volt 50 Hz outlet. The battery will automatically be cut off when the AC cord is fully inserted into the AC power receptacle.

DC... Remove the battery cover on the rear of the unit and insert 4 alkaline "D" cell batteries as indicated by the diagram inside the battery compartment (Batteries not included). Remove batteries to prevent damage from leakage if the unit is played using AC power instead of DC power or if the unit is not going to be used for an extended period of time (30 days or more).

ALKALINE BATTERIES ARE RECOMMENDED AND WILL NORMALLY PROVIDE MORE HOURS OF OPERATION AND REDUCE THE POSSIBILITY OF BATTERY LEAKAGE. BATTERY LEAKAGE VOIDS THE WARRANTY AND IS THE CONSUMERS RESPONSIBILITY.

NOTE: Even with batteries in the unit it will not operate if the AC power cord is plugged into the receptacle on the back of the unit. Be sure to disconnect the power cord before operating this unit with batteries.